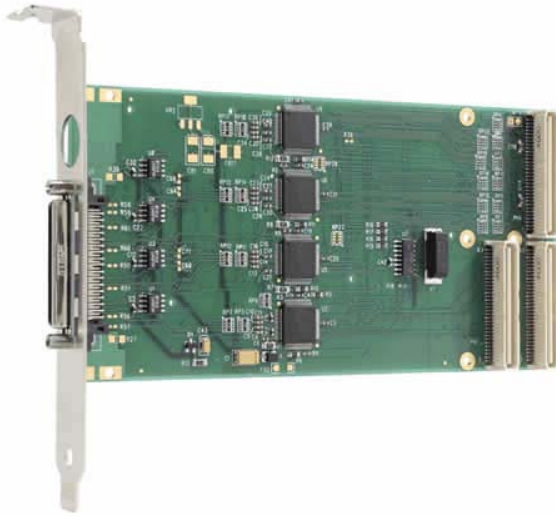




# ALACRON

## FastVGA PMC Mezzanine Board

One of Alacron's recent additions to its FastSeries family, based on Philips' TriMedia processor, is FastVGA PMC daughter-card that lets you add very high speed extra I/O ports to your FastImage 1303 or FastFrame 1303 PCI board.



The Future of  
Image Acquisition  
and Processing

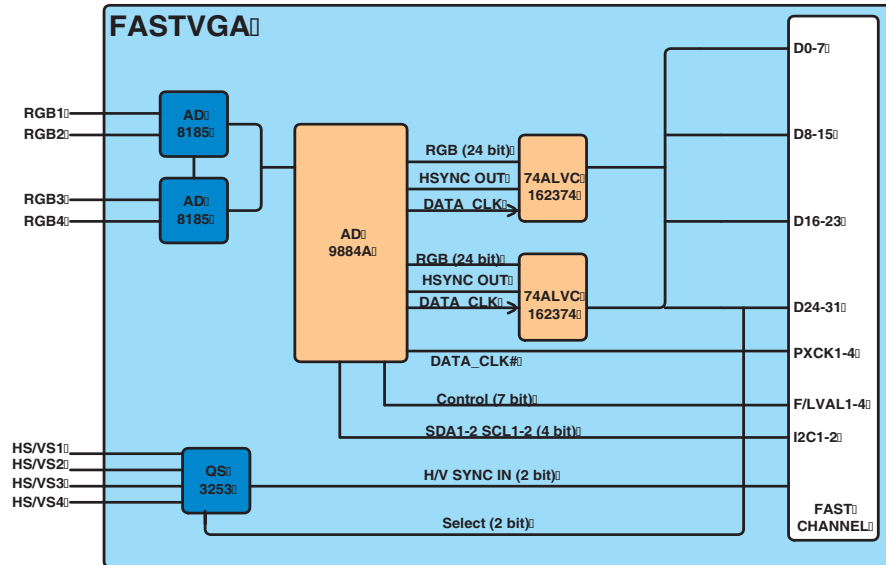
#### FastVGA PMC Mezzanine Key Features:

- Four muxed 24 bit (RGB) input channels
- 100 MHz (140MHz) input conversion and control
- Real-time capture of high resolution VGA, LCD video, up to 1280x1024 (SXGA) at 75Hz
- 32-bit side-band to FastSeries crossbar in P4 connector
- PMC form factor
- Fast Channel
  - 80 MHz 32 bit persistent channels in 4 bit increments for intra- and interboard communication
  - Point to Point connections at up to 320 MB/s via cross bar interconnect
  - Data traffic does not affect host CPU or PCI bus
  - Digital, 32 data bits with control and clock
  - 32 bidirectional interboard communications links





# FastVGA PMC Mezzanine Board



## SPECIFICATIONS

### ANALOG VIDEO CAPTURE MUX (4 CHANNELS)

- 2-1 muxed converter - Two
- Channel to channel switching - 15 ns.
- Bandwidth - 380 MHz
- Channel to channel crosstalk - -50dB @ 100 MHz
- "OFF" isolation @ 10 MHz - -100dB

### ANALOG (24 BIT) CAPTURE

- Maximum conversion rate - 140 MSPS
- Analog bandwidth - 500 MHz
- Analog input range - 0.5 - 1.0 V
- PLL clock jitter - 400 ps
- Pixel clock output frequencies - 20-140 MHz
- Formats supported - Analog capture resolutions at 24 bits of 1280x1024 (SXGA) at 75 Hz

### FAST CHANNEL

- 80 MHz 32 bit persistent channels in 4 bit increments for intra- and interboard communication
- Point to point connections at up to 320 MB/s via cross bar interconnect
- Data traffic does not affect host CPU or PCI bus

