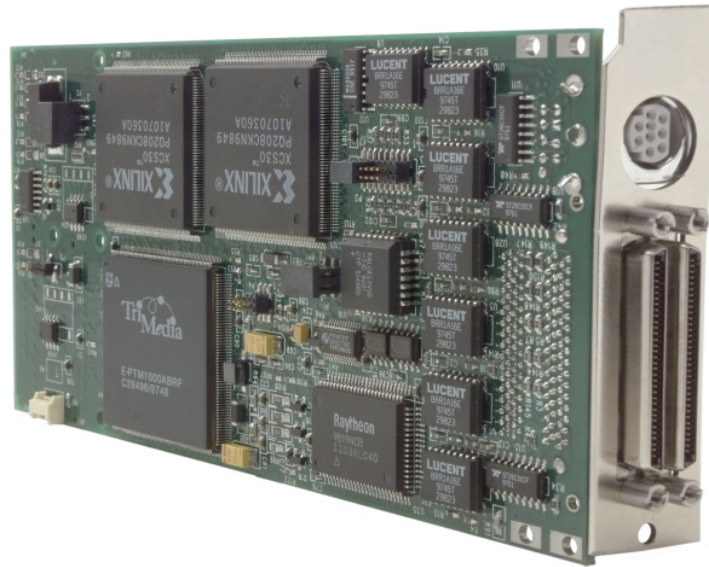


New to Alacron's recently released FastSeries family, and based on the Philips's TriMedia processor, is the Fast/I/O daughter-card, allowing you to add extra I/O ports to your FastImage or FastFrame PCI boards.



Features

- Both analog/digital and digital-only configurations
- One TriMedia TM-1x00 processor
- 8–16 MB of SDRAM (up to 400 MB/sec.)
- Programmable FPGAs with 16 MB Frame Buffer
- Input options: Digital, 32 data bits with control and clock, or NTSC/PAL/SECAM, or Three async RS-170 inputs or one RGB input
- 32-bit side-band to FastSeries crossbar in P4 connector
- PMC form factor

Specifications

Analog Video Capture (3 Channels)

Input levels 1V peak-to-peak nom;
 2.0V peak-to-peak max.; 50mV min. sync level when using composite sync

Input impedance 75 Ohms

Resolution 8 bits x 3 channels

Formats supported Line scan and area scan

Input option Each input can operate asynch.

Digital Video Capture

Common input range 0 to +5V (0 to 2.4V with LVDS option)

Input sensitivity 250 mV differential (100mV with LVDS option)

Input hysteresis 50 mV typical

Max. clock rate 40 MHz

Max. input data width 32 bits

Formats supported ITU-R BT.656 (4:2:2 interlaced color)
 8/10-bit mono variable/line scan
 8/10-bit raw data
 8/10-bit RGB
 6-bit raw at 20 MHz (40 MB/sec.)

RS-422 input RS-422, LVDS, PECL signaling

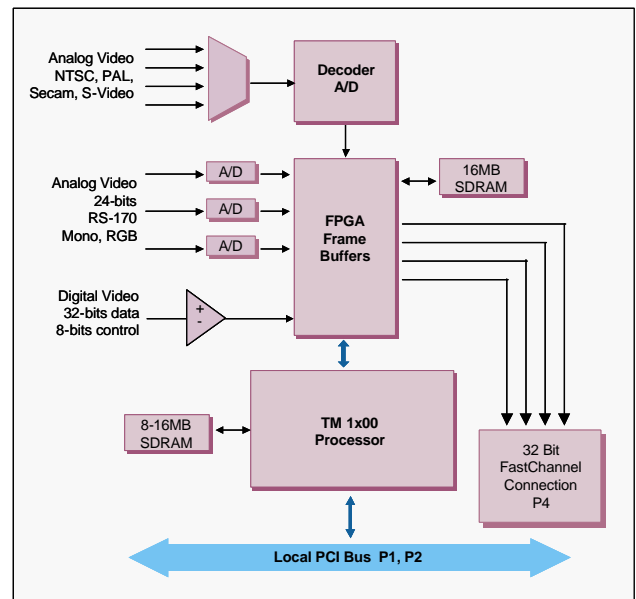
PMC Interface

Clock rate 33 MHz max.

Data width 32 bits

Peak DMA rate 132 MB/sec.

Standards compliance PCI Rev. 2.1



Fast/I/O Block Diagram